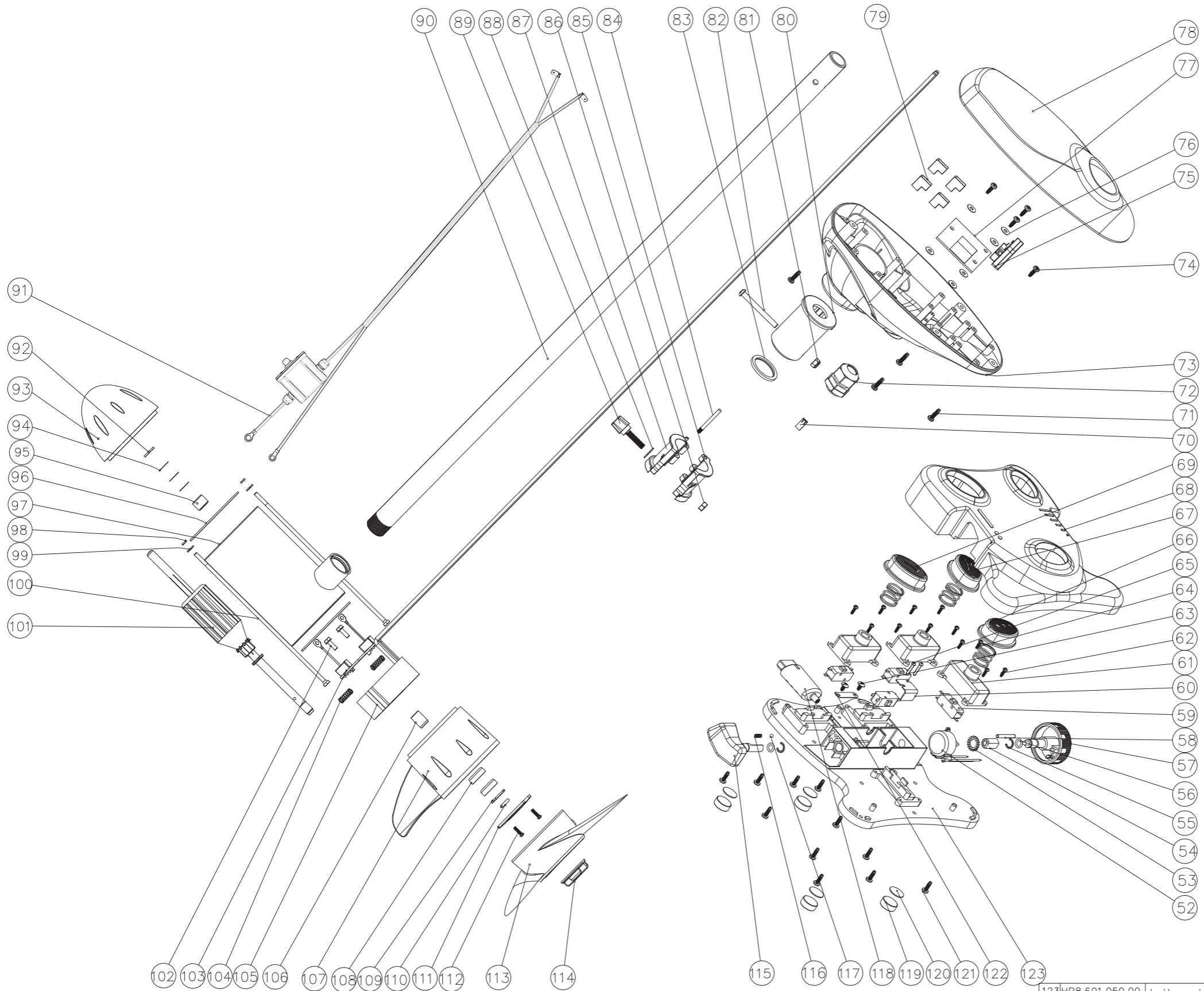


51	HP8.601.049.27	bottom plate	1
50	HP8.350.006.00	crank arm	2
49	HP8.303.022.45	rotation axis	1
48	HP8.634.063.70	right side plate	1
47	HP6.201.015.00	stay rod pin	2
46	HP8.350.003.00	connecting rod	2
45	HP6.201.014.00	secondary rod assy	2
44	HP8.350.002.00	push rod	2
43	HP8.902.198.00	bolt	2
42	HP8.940.091.00	rocker arm sleeve washer	6
41	HP8.383.110.00	right-handed torsion spring	1
40	HP8.210.337.00	connecting rod nesting	2
39	HP8.220.245.00	connecting rod sleeve	2
38	HP6.201.017.45	right connecting rod pin assy	1
37	HP6.154.002.00	right portable plate assy	1
36	HP8.902.194.45	bolt	4
35	HP8.010.006.15	bottom cover of turning box	1
34	HP8.264.329.45	gusset plate pin	1
33	HP8.621.027.00	handle	1
32	HP8.662.063.00	sealing ring	2
31	HP8.902.195.00	bolt	4
30	HP8.415.164.00	small gear	1
29	HP8.210.335.00	locating bush	2
28	HP8.245.079.00	C-retaining ring	4
27	HP8.902.193.45	point	4
26	HP8.904.087.16	hexagon socket set screws with flat	1
25	HP6.714.002.00	motor assy	1
24	HP8.210.339.00	gear bushing	1
23	HP8.210.332.00	bushing	1
22	HP8.010.005.15	top cover of turning box	1
21	HP8.220.244.00	push rod pin sleeve	2
20	HP6.154.001.00	left portable plate assy	1
19	HP6.201.016.45	left connecting rod pin assy	1
18	HP8.245.078.00	C-retaining ring	10
17	HP8.379.053.00	nut M6	2
16	HP8.383.109.00	left-handed torsion spring	1
15	HP8.634.062.70	left side plate	1
14	HP8.902.195.00	bolt	1
13	HP8.683.041.00	elastic cushion block	1
12	HP6.647.032.00	helix cable assy	1
11	HP8.610.082.45	cushion baffle plate	4
10	HP8.683.042.00	cushion	2
9	HP6.647.033.00	Socket assembly	1
8	HP8.264.322.45	stud bolt axis pin	2
7	HP8.902.196.00	bolt	8
6	HP8.210.336.00	crank shaft sleeve	2
5	HP8.902.193.45	bolt	4
4	HP8.940.268.00	washer	4
3	HP8.379.052.00	nut M4	4
2	HP8.335.000.00	footplate	1
1	HP8.076.028.70	front cover	1
No.	DRAWING NO.	PART NAME	Q'TY



115	HP6.356.014.71	continuous switch assy	1				
114	HP6.482.001.00	prop nut	1				
113	HP6.393.001.00	prop	1				
112	HP8.902.022.00	bolt	2				
111	HP7.690.001.00	sacrificial anode	1				
110	HP8.264.157.00	pin	1				
109	HP8.683.049.45	retainer ring	1				
108	HP6.475.000.00	sealing ring	2				
107	HP8.010.002.15	front cover	1				
106	HP8.251.000.00	oil bearing	1				
105	HP6.702.004.00	FSC-2speed control unit	1				
104	HP8.382.063.00	spring	2				
103	HP6.670.029.00	brush frame assy	1				
102	HP8.903.060.07	bolt	2				
101	HP6.656.004.00	rotor assy	1				
100	HP8.926.018.00	connecting screw rod	2				
99	HP8.610.049.00	hexagonal washer	2				
98	HP8.662.015.00	mini O-sealing ring	2				
97	HP6.652.001.00	stator assy	1				
96	HP8.662.016.00	O-sealing ring	2				
95	HP8.251.001.00	oil bearing	1				
94	HP8.940.309.00	gasket	3				
93	HP8.010.003.15	back cover	1				
92	HP8.940.310.00	gasket	1				
91	HP6.647.134.00	main battery cable	1				
90	HP6.657.059.99	shaft	1				
89	HP6.480.002.00	bolt	1				
88	HP8.940.313.00	washer	1				
87	HP8.242.151.00	right body of depth adjustment collar	1				
86	HP8.379.019.07	nut	1				
85	HP8.242.150.00	left body of depth adjustment collar	1				
84	HP8.264.406.07	pin	1				
83	HP8.662.014.00	sealing ring	1				
82	HP8.902.197.00	bolt	1				
81	HP6.482.002.00	lock nut	1				
80	HP8.210.338.00	sleeve	1				
79	HP8.626.002.82	insulating bush	4				
78	HP8.076.029.00	head top cover	1				
77	HP6.672.011.00	relay control plate	1				
76	HP8.940.021.00	Washer	6				
75	HP6.708.001.00	tilt transducer	1				
74	HP8.903.042.00	cross screw	2				
73	HP8.076.030.00	head bottom cover	1				
72	HP6.428.019.00	water joint	1				
71	HP8.903.056.00	cross screw	7				
70	HP7.747.021.00	six hole plug	1				
69	HP8.337.059.71	button(left)	1				
68	HP8.076.027.00	top cover	1				
67	HP8.337.061.71	button(right)	1				
66	HP8.337.062.71	inching button	1				
65	HP8.903.101.00	self tapping screw	2				
64	HP8.382.144.00	button spring	3				
63	HP8.903.050.00	bolt	2				
62	HP8.903.030.00	screw	12				
61	HP8.634.061.00	waterproof cover	3				
60	HP8.369.079.00	baffle block	1				
59	HP7.330.000.00	switch	4				
58	HP8.264.315.00	pin	1				
57	HP6.465.038.71	speed regulating handle assy	1				
56	HP8.662.064.00	O-ring	2				
55	HP8.245.080.00	C-retaining ring	2				
54	HP8.683.040.00	rubber housing	1				
53	HP8.946.011.07	lock washer	1				
52	HP6.630.006.00	potentiometer	1				
No.	DRAWING NO.	PART NAME	Q'TY	No.	DRAWING NO.	PART NAME	Q'TY
123	HP8.601.050.00	bottom plate	1	59	HP7.330.000.00	switch	4
122	HP8.263.076.00	press piece	1	58	HP8.264.315.00	pin	1
121	HP8.903.059.00	bolt	11	57	HP6.465.038.71	speed regulating handle assy	1
120	HP8.802.017.00	foot pad sticker	4	56	HP8.662.064.00	O-ring	2
119	HP8.683.039.00	rubber cushion	4	55	HP8.245.080.00	C-retaining ring	2
118	HP7.747.003.00	plug1	1	54	HP8.683.040.00	rubber housing	1
117	HP8.322.076.00	steel ball	1	53	HP8.946.011.07	lock washer	1
116	HP8.382.015.00	clutch plate compression spring	1	52	HP6.630.006.00	potentiometer	1

FWDR54-48