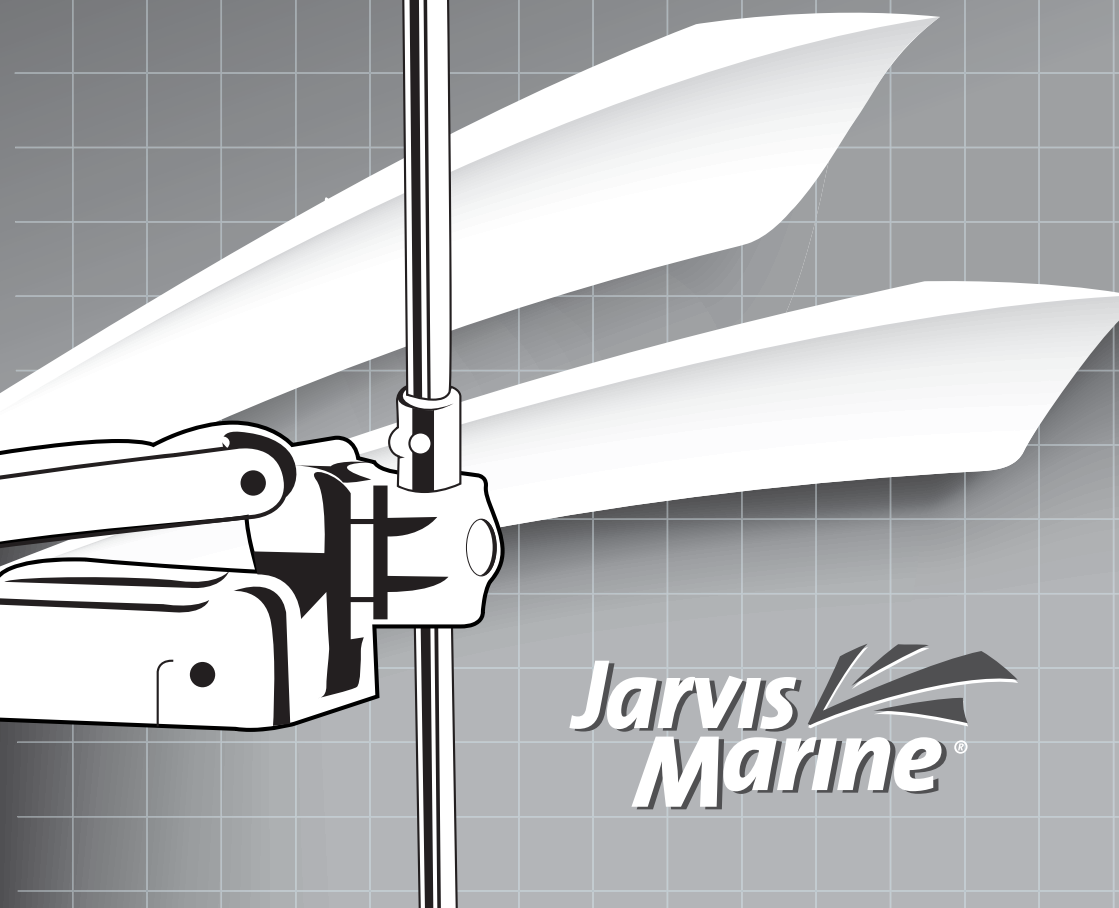




***WATERSNAKE
ELECTRIC MOTOR
OWNERS MANUAL
SWSB SERIES BOW MOUNT
MOTOR***



Jarvis 
Marine®



WATERSNAKE ELECTRIC MOTORS

Congratulations and welcome to a world of silent motoring. You won't regret your purchase of this lightweight, Jarvis Marine Watersnake electric motor.

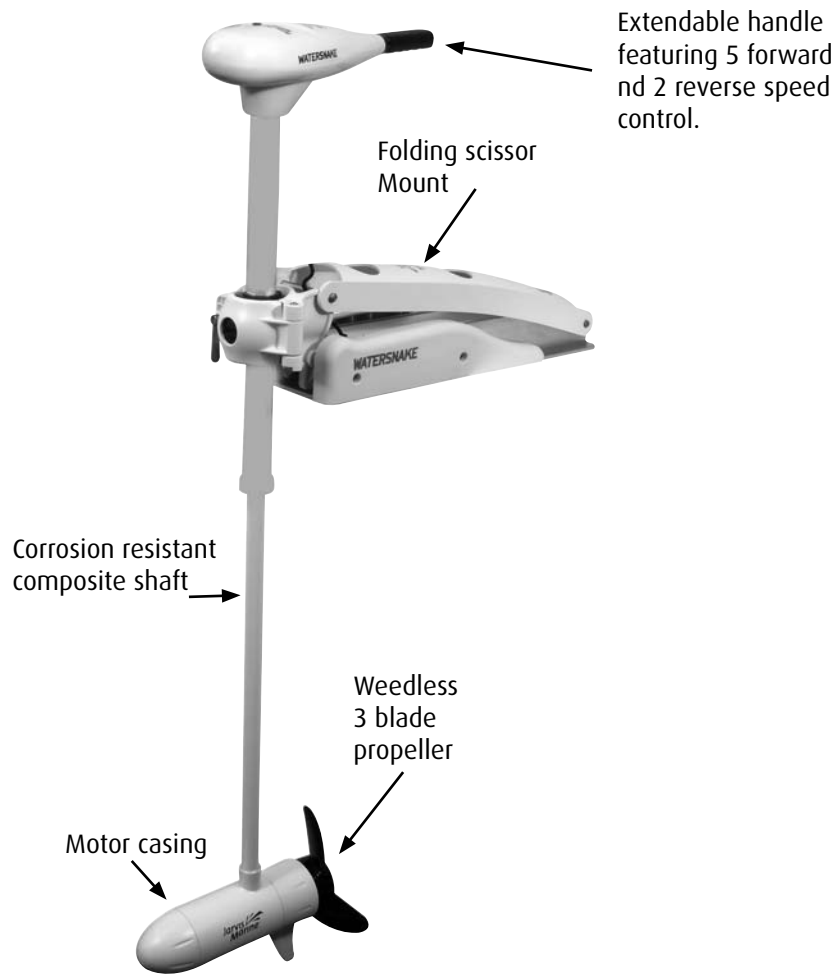
Powerful yet silent, the Watersnake electric motors are built to suit all angling conditions. High quality materials, superior design and precision engineering make these motors longwearing and reliable.

ATTACHING THE MOTOR TO YOUR BOAT

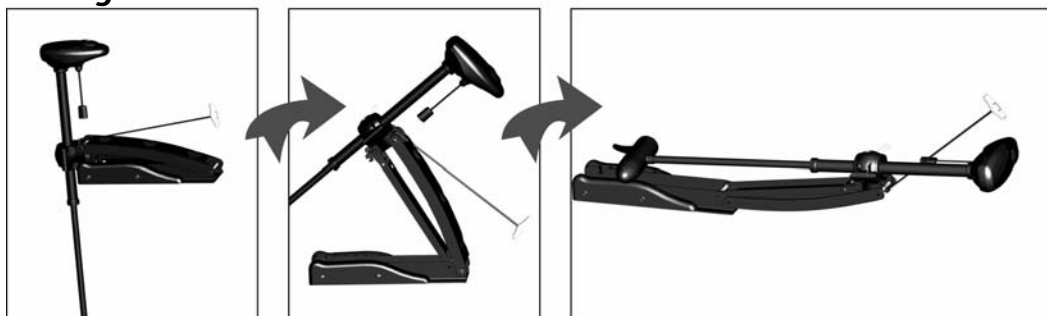
Attach the motor to the bow of the boat, taking care to ensure the motor is on the centreline of the boat and forward enough to avoid the shaft making contact with the boat's gunwale rubber. With the motor in position, mark the holes for drilling, ensuring as you do that the bow area below the mounting location is clear and accessible.

Mount the plate to the bow using stainless steel bolts, nuts and washers. It is important when doing this work that the boat is level and the motor is mounted level.





Folding Down Motor



Pull Cord

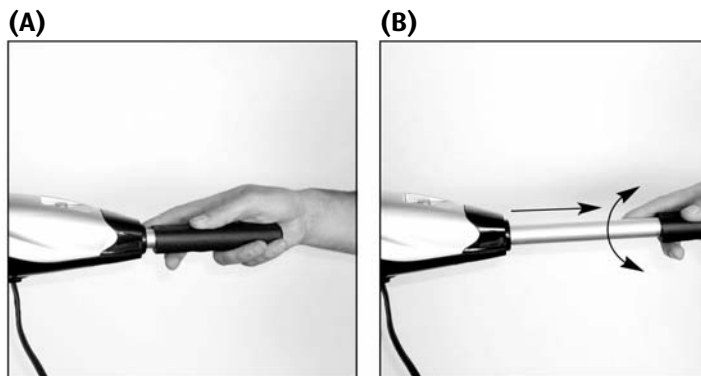
Raise Motor

Place Horizontally

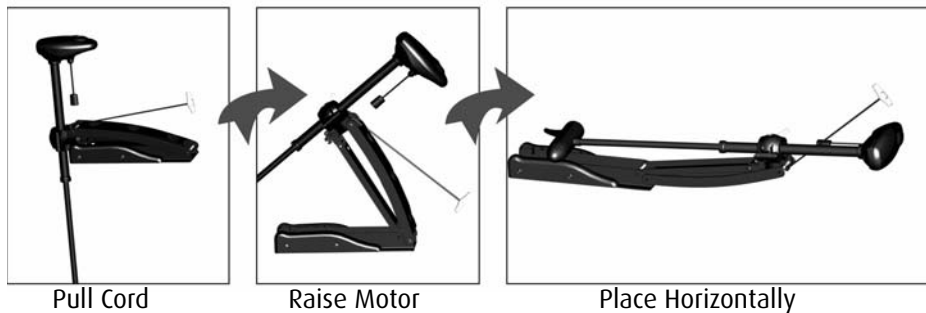


SPEED CONTROL

The tiller control is telescopic and can be extended to a length of 16cm. The speed control, featuring five forward and two reverse speeds, is integrated into the handle. Turn the handle clockwise to move forward and anti-clockwise to go backwards. When you don't want to move, set the handle into neutral. No power will be used in this setting. **(A&B)**



STOWING



CHANGING THE PROPELLOR

Before doing anything with the propeller, ensure the cables to the battery are disconnected. To detach the propeller it is a simple matter of unscrewing and removing the locknut using the special tool supplied. When doing this, take hold of the propeller to stop it turning. Under no circumstances should you attempt to loosen the locknut with a hammer or similar tool as this may damage the locknut or shaft – or both. **(F)**

Once the locknut is removed, the propeller can be slid off. When putting the propeller back on, verify there is a proper fit of the groove and shear pin otherwise the propeller will not be locked. **(G)**

After using the motor always check and clear any weed or fishing line that may have become tangled around the propeller. Next, give the motor a wipe down with warm water to remove any salt or sand particles and then spray it with fresh water.

(F)



(G)

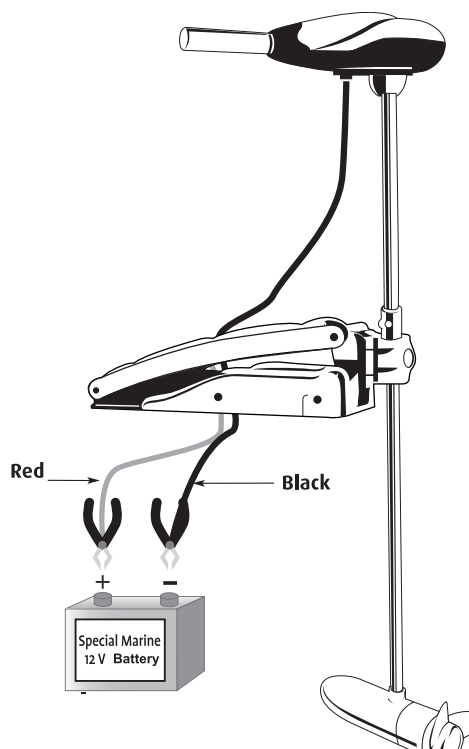


ELECTRICAL CONNECTIONS

Before connecting the motor's cables to the battery terminals, ensure all switches are in the OFF position and stand clear of the propeller.

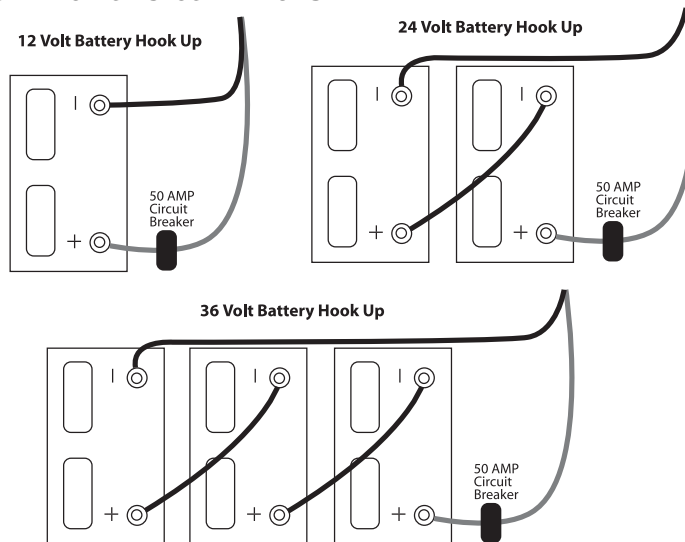
Connect the red cable to the positive (+) terminal and the black cable to the negative (-) terminal, making sure the terminals are clean before doing so. A clean connection will minimise power wastage and give you maximum power from the battery.

The battery should be kept in a well-ventilated location. We recommend using a special deep cycle marine battery for optimum performance.





ELECTRICAL CONNECTIONS CONTINUED



Models Available (SWSB)

MODEL	MAX THRUST	CONTROL	SPEEDS	VOLTAGE	SHAFT MATERIAL	SHAFT LENGTH
SWSB54/54	54lbs	By Hand	5 For/2 Rev	12V	Composite	54"/135cm
SWSB80/54	80lbs	By Hand	5 For/2 Rev	24V	Composite	54"/135cm
SWSB80/60	80lbs	By Hand	5 For/2 Rev	24V	Composite	60"/152cm
SWSB105/54	105lbs	By Hand	5 For/2 Rev	36V	Composite	54"/135cm
SWSB105/60	105lbs	By Hand	5 For/2 Rev	36V	Composite	60"/152cm

TROUBLESHOOTING

PROBLEM

POSSIBLE CAUSE/SOLUTION

Speed loss

- 1: Check for line or weed on propeller.
- 2: Check battery status.
- 3: Check terminals on battery.

Motor noise/ shake

- 1: Check propeller for line or weed.

	2: Check to see propeller is secure and not damaged. 3: Check shaft to ensure it is not bent. Detach propeller and run motor visually to ensure shaft is not shaking. If shaft is damaged contact your retailer.
Loss of speed setting	1: Check all wiring connections. 2: Speed coil in motor may be burned, contact your retailer.
Tight steering	1: Loosen counterforce screw, apply lubricant and readjust.

For problems not listed contact your retailer

MAINTENANCE

At the end of the day, wipe the motor down with a cloth soaked in warm water and then rinse unit with light spray from hose. Always check the propeller is clear of line or weed, regularly check all nuts, bolts and screws and lubricate all moving parts with an aerosol lubricant. Clean terminal connections regularly and check for frayed wires or loose connections.

STORAGE

When storing the motor, lubricate all moving parts and screws and store in a well-ventilated, dry area. Do not leave the motor outside in winter for long periods, as this will damage the permanent magnet in the unit.

JARVIS WALKER – 12 MONTH WARRANTY PROVISIONS

- Product safety**
Provision of the goods by Jarvis Walker in no way reduces the purchaser's obligation to ensure that their use of the goods and the relevant operating environment is safe and in accordance with Jarvis Walker's directions relating to care, maintenance and storage of the goods.
- Product warranty**
All goods manufactured by Jarvis Walker that have been subjected to normal and proper use are warranted to be free from material defects in material and workmanship for a period of one year from the date of purchase. Jarvis Walker will use its reasonable endeavours to rectify at its cost any defect in the goods as provided in clause 2(a) notified to it during the warranty period.
The purchaser's sole remedy for a breach of clause 2(a) is the repair, replacement or resupply of the goods in accordance with clause 3.4.
Jarvis Walker will not be liable to rectify any defect in the goods if:
the goods have been altered or modified without Jarvis Walker's authorisation;
the defect is the result of or related to a failure of the purchaser to comply with any of its obligations under these terms; or the defect is the result of or related to the use of the goods other than in accordance with this documentation or Jarvis Walker's reasonable recommendations or directions.



3. Limitations on Liability

Limited and excluded liability

Unless this warranty provides otherwise, the maximum aggregate liability of Jarvis Walker for all proven losses, damages and claims arising out of this warranty, including liability for breach, in negligence or in tort or for any other common law or statutory action, is limited to the sum of the amount paid by the purchaser to Jarvis Walker. Notwithstanding any other provisions, Jarvis Walker will not be liable to the purchaser or to any other person for: any losses or damages of any kind caused by or resulting from any wrongful, wilful or negligent act or omission of Jarvis Walker or any of its officers, employees, agents or contractors; or any indirect, incidental, special or consequential damages, including loss of profits or anticipated profits, even if notified of the possibility of that potential loss or damage.

Exclusion of implied warranties

Any representation, warranty, condition or undertaking that would be implied in this warranty by legislation, common law, equity, trade, custom or usage is excluded to the maximum extent permitted by law.

Non-excludable rights implied by statute

Nothing in this warranty excludes, restricts or modifies any condition, warranty, right or remedy conferred on the purchaser by the Trade Practices Act 1974 (Cth) or any other applicable law and which cannot be excluded, restricted or modified by agreement.

Liability for breach of non-excludable rights

To the fullest extent permitted by law, the liability of Jarvis Walker for a breach of a non-excludable condition or warranty referred to in clause 3.3 and as otherwise provided for in these terms are limited, at Jarvis Walker's option, to the replacement of the goods or the supply of equivalent goods; the repair of the goods; the payment of the cost of replacing the goods or of acquiring equivalent goods; or the payment of the cost of having the goods repaired.

4. Warranty service

A copy of the proof of purchase or registration verification is required to obtain warranty service. Please contact Anglers Central Service centre for servicing and Spare parts.

Anglers' Central Service Centre Pty Ltd, Australia's largest tackle repair centre and the authorised service and repair centre for all Penn, Rovex and Jarvis Walker and Jarvis Marine products throughout Australia.
email: spareparts@anglerscentral.com.au
Ph: 08 8244 8790 Fax: 1300 763 331
Delivery address: 2,7 Circuit Drive, Hendon SA 5014

When applying for a warranty service please supply proof of purchase and a brief explanation of the fault.

Upon purchase please fill out the registration form below and send to Anglers Cental Service Centre: 2,7 circuit drive, Hendon SA 5014.



Important

To Make the Warranty effective please complete this registration card correctly and return to us with a copy of your receipt within thirty (30) days after the date of purchase.

If you do not wish Jarvis walker to send you information on our products and services please tick here.

Name and Model

Place of Purchase Date of purchase

Serial Number

Purchaser's Name

Address

.....

Signature

**PLEASE ATTACH A COPY OF PROOF OF PURCHASE HERE.
(RECEIPT)
YOU WILL REQUIRE IT TO MAKE A CLAIM.**